

Switches

906, 908, 916, 918, 919, 920, 990

9 Series Mushroom Buttons



In or Out...we make it Easy!®



906
2-3/4" x 4-1/2"
(69.9 x 114.3mm)



908
2-3/4" x 4-1/2"
(69.9 x 114.3mm)



916
3" x 4-3/4"
(76.2 x 120.7mm)



916N
1-5/8" x 4-3/4"
(41.3 x 120.7mm)



918
3" x 4-3/4"
(76.2 x 120.7mm)



918N
1-5/8" x 4-3/4"
(41.3 x 120.7mm)



919
3" x 4-3/4"
(76.2 x 120.7mm)



920
2-3/4" x 4-1/2"
(69.9 x 114.3mm)



990H
3" x 4-3/4"
(76.2 x 120.7mm)



990E
3" x 4-3/4"
(76.2 x 120.7mm)

Options

- Special Finishes**.....Available upon request
(916, 918/919, 990 series)
- Spanish/French**.....Available upon request
(906, 908, 916, 918)

Optional Mounting Accessories

- 9SURBOX**.....Surface mount box
4-3/4"H x 3"W x 2-1/2"D
(120.6 x 76.2 x 63.5mm)
Standard finish: Laurentian Cream
- 9RECBOX**.....Recessed box
4-1/8"H x 2-1/2"W x 1-3/4"D
(104.8 x 63.5 x 44.4mm)
Standard finish: Steel (Lidless)

Features & Benefits

906/908 Handicap & Exit Mushroom Buttons

- Ideal for request-to-exit applications
- 20-gauge stainless steel faceplate
- Fits standard single-gang surface or recessed electrical boxes (optional)
- Hardware kit includes steel machine screws
- Momentary, maintained or time-delay switches available
- 908 also available in French and Spanish
- Engraved 1-3/4" (44.5mm) button (blank button available)

916/918 Tamper-Resistant Handicap & Exit Mushroom Buttons

- Ideal for request-to-exit applications
- 916N and 918N models can be mounted on narrow-style door frames
- Brushed Anodized Aluminum or Brushed Anodized Dark Bronze finish available
- Engraved 1-3/4" (44.5mm) button (blank button available)
- Extruded aluminum 1/4" (6.4mm) plate with beveled edges

- Momentary, maintained or time-delay switches available
- Hardware kit includes tamper resistant stainless steel screws and wrench
- 918 also available in French & Spanish

919 Rotary Release Mushroom Button

- For request-to-exit applications to prevent user from inadvertently re-engaging lock
- Push the button once to engage; twist cap in direction of arrows to release
- Extruded aluminum 1/4" (6.4mm) plate with beveled edges
- Fits standard single-gang surface or recessed electrical boxes (optional)
- Latching momentary action

920 Emergency Release Mushroom Button/Keypad

- Large, 1-3/4" (44.5mm) diameter button with red cap
- 20-gauge stainless steel faceplate
- For emergency release applications to prevent user from inadvertently re-engaging lock
- Push the button once to engage; key required to reset

990 Oversized Tamper-Resistant Handicap & Exit Mushroom Buttons

- Ideal for request-to-exit applications accommodating ADA requirements
- Available in Spanish and French
- Oversized, heavy-duty 2-3/8" (60.3mm) diameter
- Extruded aluminum 1/4" (6.4mm) plate with beveled edges for tamper-resistance and durability
- Momentary, maintained or time-delay switches available
- Faceplate design allows use with most standard single-gang surface or recessed electrical boxes (optional)
- Hardware kit includes tamper resistant stainless steel screws and wrench
- Heavy-duty snap-action switch element with self-cleaning contacts
- Brushed Anodized Aluminum or Brushed Anodized Dark Bronze finish available
- English and French stickers included

Specifications

906, 908, 916, 918,

919, 920, 990

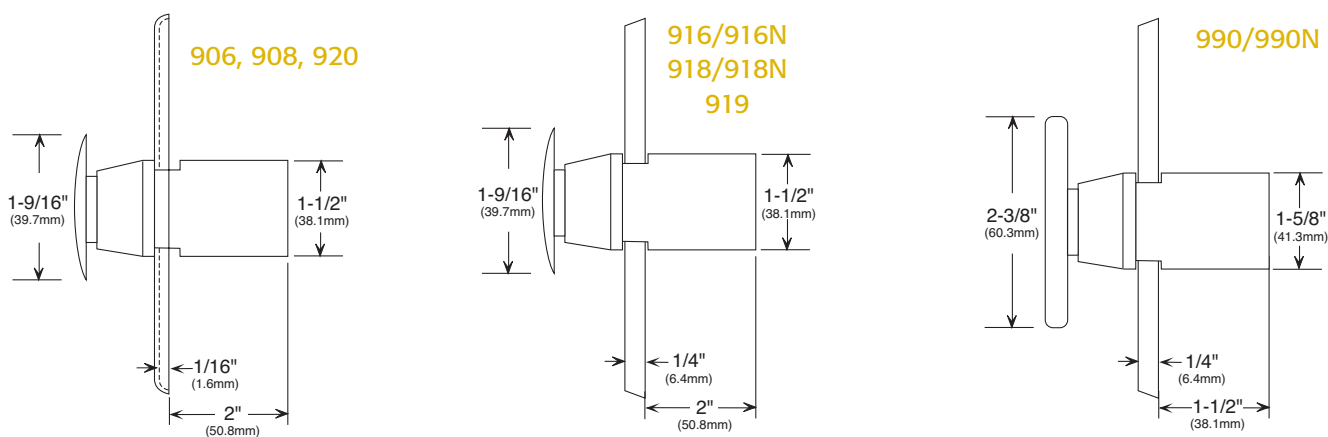


In or Out...we make it Easy!®

Description	Switch Mode	Switch Configuration	Switch Rating	Standard Finish
906-MO Handicap	Momentary Action	SPDT	10A @24V UL/CSA	32D Blue Cap
906-TD Handicap	Adj. Delay 1 sec - 34 hrs*	DPDT	5A @24V UL/CSA	32D Blue Cap
906-MA Handicap	Maintained Action	SPDT	10A @24V UL/CSA	32D Blue Cap
908-MO Exit Button	Momentary Action	SPDT	10A @24V UL/CSA	32D Red Cap
908-TD Exit Button	Adj. Delay 1 sec - 34 hrs*	DPDT	5A @24V UL/CSA	32D Red Cap
908-MA Exit Button	Maintained Action	SPDT	10A @24V UL/CSA	32D Red Cap
916-MO Handicap	Momentary Action	SPDT	10A @24V UL/CSA	28 or 40 Blue Cap
916-TD Handicap	Adj. Delay 1 sec - 34 hrs*	DPDT	5A @24V UL/CSA	28 or 40 Blue Cap
916-MA Handicap	Maintained Action	SPDT	10A @24V UL/CSA	28 or 40 Blue Cap
918-MO Exit Button	Momentary Action	SPDT	10A @24V UL/CSA	28 or 40 Red Cap
918-TD Exit Button	Adj. Delay 1 sec - 34 hrs*	DPDT	5A @24V UL/CSA	28 or 40 Red Cap
918-MA Exit Button	Maintained Action	SPDT	10A @24V UL/CSA	28 or 40 Red Cap
919-MA Rotary Release	Maintained Action	SPDT	10A @24V UL/CSA	32D Red Cap
920-MA Rotary Release	Maintained Action	SPDT	10A @24V UL/CSA	32D Red Cap
990-MO Mushroom	Momentary Action	SPDT	10A @24V UL/CSA	28 or 40 Red/Blue Cap
990-TD Mushroom	Adj. Delay 1 sec - 34 hrs*	DPDT	10A @24V UL/CSA	28 or 40 Red/Blue Cap

NOTE: Technical specifications for the 990 are the same for all 990 models. Specifications are subject to change without notice. N/C – Normally Closed; N/O – Normally Open
*mounted separately

Side Profiles



RCI also offers a complete line of Electromagnetic Locks, Electric Strikes, Power Supplies, Switches, Keypads & Readers, Exit Devices, Systems & Door Hardware.